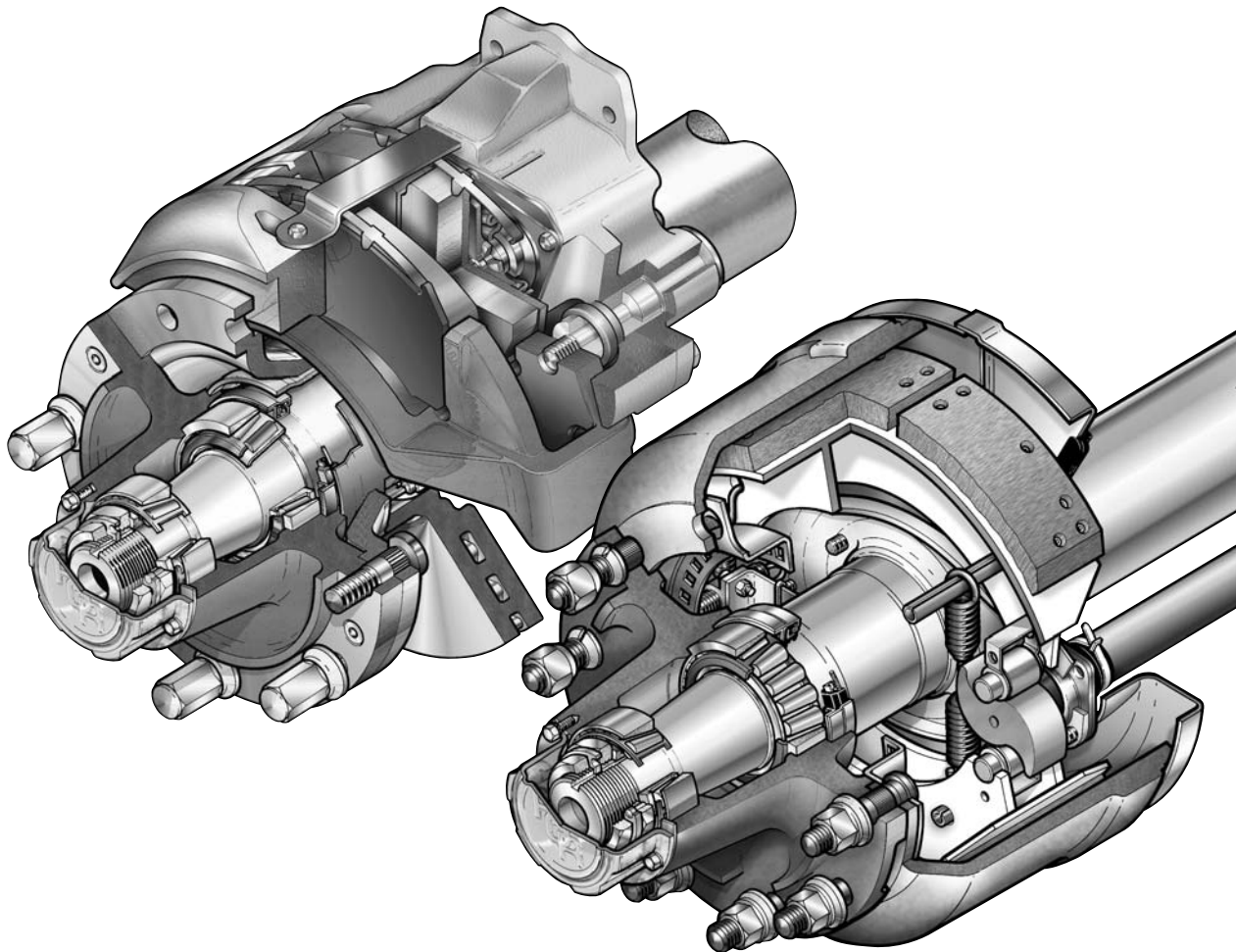
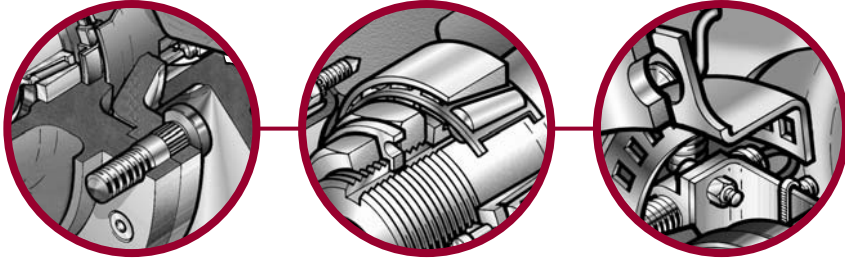




MERITOR™

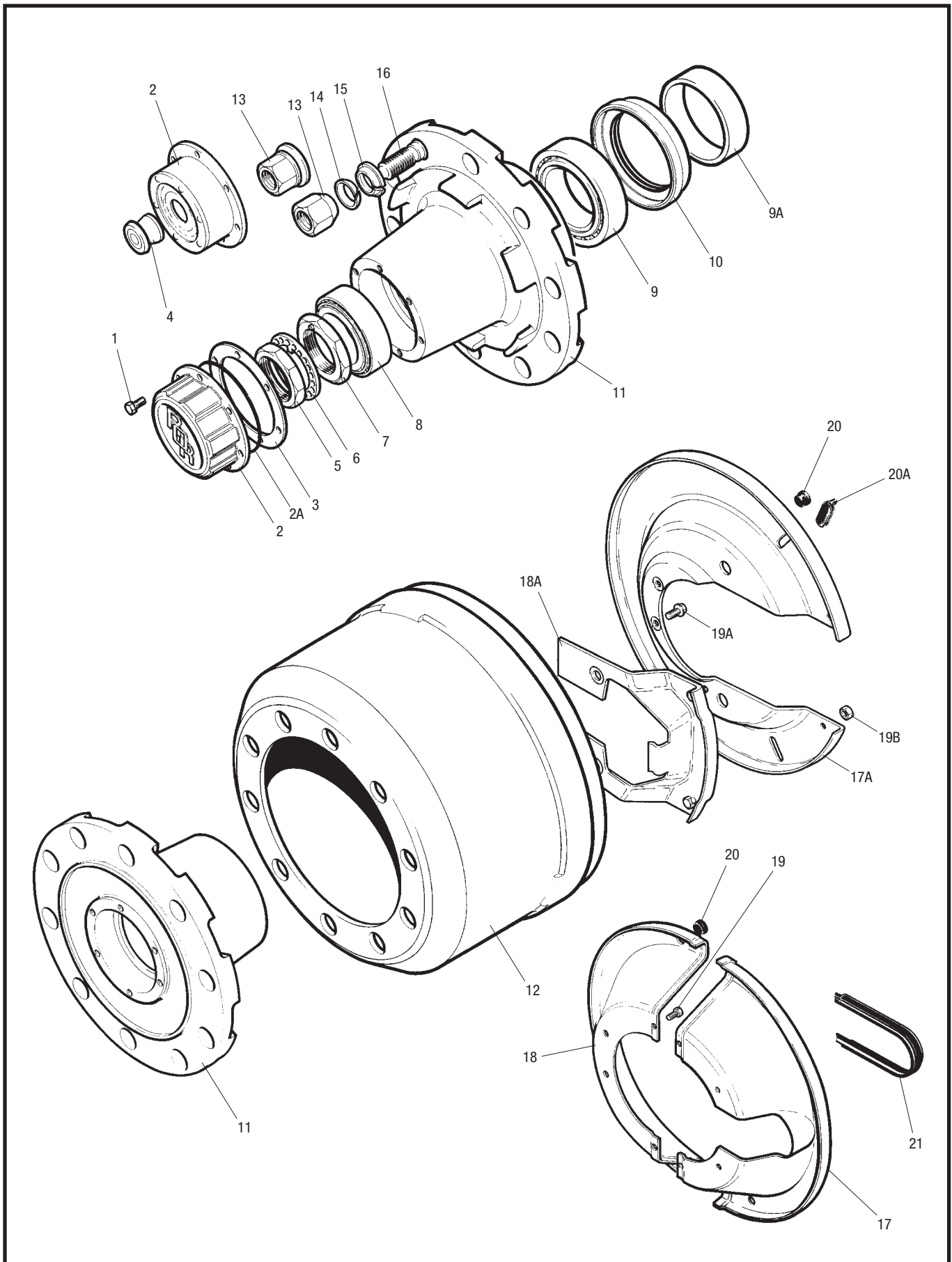
ROR Trailer Products
Axle & Brake Parts List
TM Series Axles
including disc and drum brake variants



ArvinMeritor™

TM Parts List

Hub Assembly





MERITOR™

TM Parts List

Hub Assembly

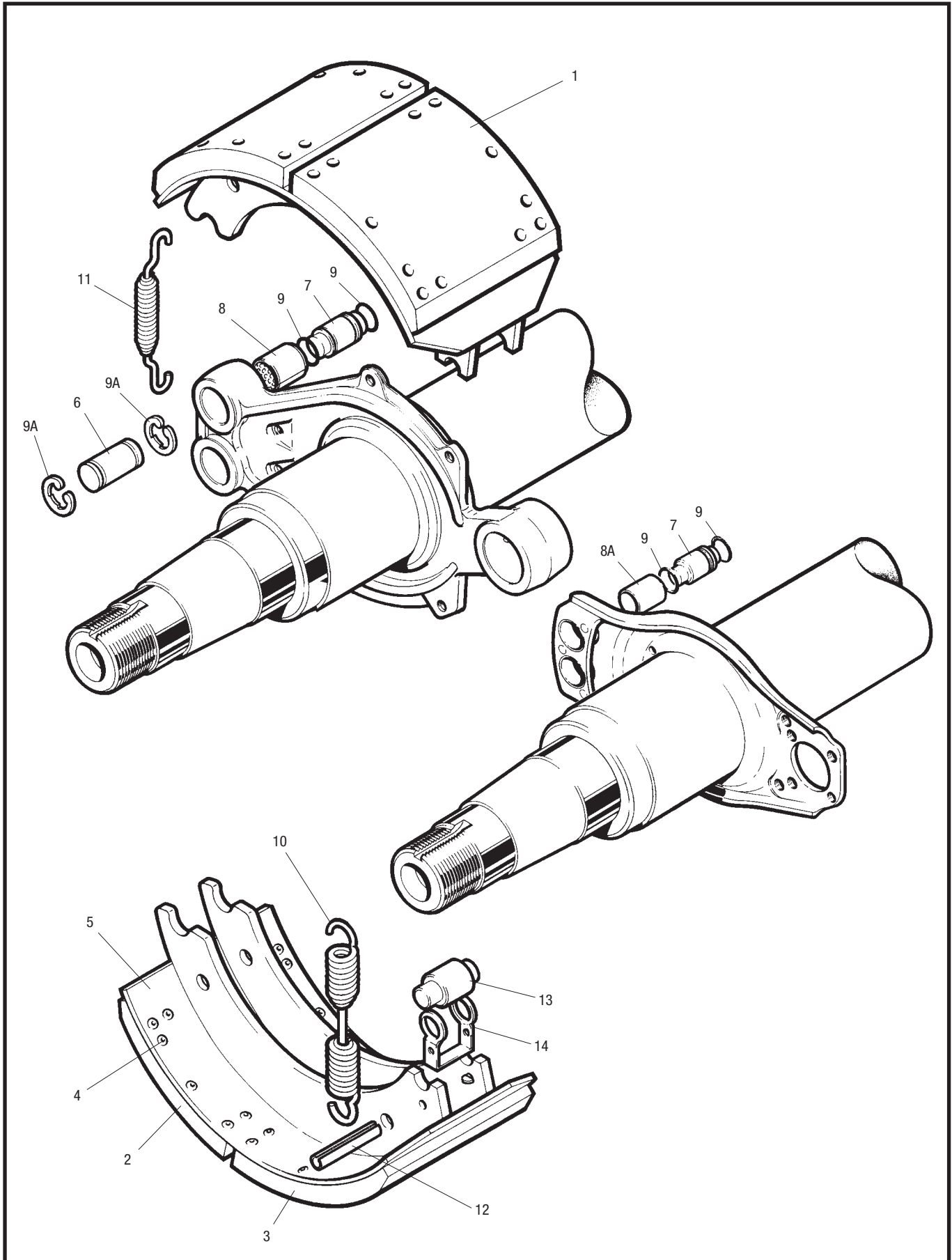
Item	Description	'AC'	'B'	'Q'	'Z'	33000
		310 x 190	350 x 200	420 x 180	420 x 220	420 x 220
1	Hub cap screw	99520005	99520005	99520005	99520005	99520005
2	Hub cap – grease	21202627	21202627	21202627	21202627	21205583
2	Hub cap oil filled	21200624	21200624	21200624	21200624	
2	Hub cap (grease) for hubodometer	21202627A	21202627A	21202627A	21202627A	
2	Hub cap (oil) for hubodometer	21204834	21204834	21204834	21204834	
2	Hub cap (for alloy hub)			21223112	21223112	
2A	'O' ring (for alloy hub)			21223113	21223113	
3	Gasket – grease filled	21211378	21211378	21211378	21211378	21014990
3	Gasket – oil filled	21021002	21021002	21021002	21021002	
4	Vent Plug – oil filled	21021883	21021883	21021883	21021883	
5	Locknut	21210819	21210819	21210819	21210819	21014988
6	Lockwasher	21020818	21020818	21020818	21020818	21014992
7	Bearing adjustment nut	21205571	21205571	21205571	21205571	21014986
8	Outer bearing	99041045S	99041045S	99041045S	99041045S	99041058
9	Inner bearing	99041035S	99041035S	99041035S	99041035S	99041057
9A	Bearing spacer*					21203735
10	Oil seal – unitized	21200321A	21200321A	21200321A	21200321A	99042026
10	Oil seal – grease (33000 series)					99042026
11	Hub – 8 bolt	21020750S	21020750S			
11	Hub – 8 bolt ISO	14205190	14205190	14205190		
11	Hub – 10 bolt	14203219	14203219	14204561	14204561	21201027S
11	Hub – 10 bolt ISO	14203219	14203219	14204562	14204562	21205741S
11	Hub – 10 bolt offset ISO		21218782S	14210885S		
11	Hub – twin alloy wheels			21206354S	21206354S	
11	Hub – 8 bolt Japanese			21211159S	21211159S	
11	Hub – 10 bolt ISO, alloy (complete with bearing cups)			14223111	14223111	
12	Brake drum – 8 bolt	21020448S	21211966S	21021317S		
12	Brake drum – 10 bolt	21209723S	21211030S	21018986V	21021114AV	21021114AV
12	Brake drum – 10 bolt (QE axle)			21220183V		
12	Brake drum – 8 bolt Japanese			21211165S	21212670S	
13	Wheel nut RH 7/8"BSF	21016416		21016416	21016416	21016416
13	Wheel nut LH 7/8"BSF	21016417		21016417	21016417	21016417
13	Wheel nut M22 ISO steel & alloy wheels	21226395	21226395	21226395	21226395	21226395
13	Wheel nut M22 DIN	21006511		21006511	21006511	21006511
14	Wheelcone outer DIN	21006512		21006512	21006512	21006512
15	Wheelcone inner BSF	21201588		21201588	21201588	21201588
15	Wheelcone inner DIN	21019026		21019026	21019026	21019026
16	Wheelbolt 7/8" BSF RH twin } ⁽¹⁾	21020487		21018490	21018490	21018490
16	Wheelbolt 7/8" BSF LH twin } ⁽¹⁾	21020488		21018491	21018491	21018491
16	Wheelbolt M22 DIN & ISO twin ⁽¹⁾⁽²⁾	21020997	21020997	21020997	21020997	21020997
16	Wheelbolt 7/8" BSF RH single	21020735†		21020735	21020735	
16	Wheelbolt 7/8" BSF LH single	21020736†		21020736	21020736	
16	Wheelbolt M22 DIN & ISO single	21022167	21022167	21022167	21022167	
16	Wheelbolt M22 ISO twin alloy wheels	21206355	21206355	21206355	21206355	
16	Wheelbolt M22 - for alloy hub & twin alloy wheels			21223210	21223210	
16	Wheelbolt RH Japanese			21211162	21211162	
16	Wheelbolt LH Japanese			21211163	21211163	
17/18	Dust cover pairs	21202329/30	21209705/6	21008062/3	21200920/1	21200920/1
17/18	Dust cover pairs – beams with fabricated anchor brackets (from June '91)			21220647/8	21221567/8	
17A	Dust cover – 'C' type (from Aug '97)			21224522		
18A	Filler plate (from Aug '97)			15224518		
18A	Filler plate (from April '01)			15225842		
19	Screw – dust cover	99534001	99534001	99520005	99520005	99520005
19A	Screw – dust cover (from June '91)			99546002	99546002	
19B	Nut – filler plate (from Aug '97)			99544000		
20	Plug – dust cover	21211385	21211385	21211385	21211385	21211385
20A	Plug – inspection (from June '91)			21220719	21220719	
21	Dust cover seal		21213886	21205639	21205639	21205639

* For axles before Jan. 1977 part number 21202424 should be used. † For single 7/8" BSF 8 stud part number 21200429/30.

⁽¹⁾ For twin M22 use 21214556. ⁽²⁾ Also use for alloy single wheels.

TM Parts List

Brake Assembly





MERITOR™

TM Parts List

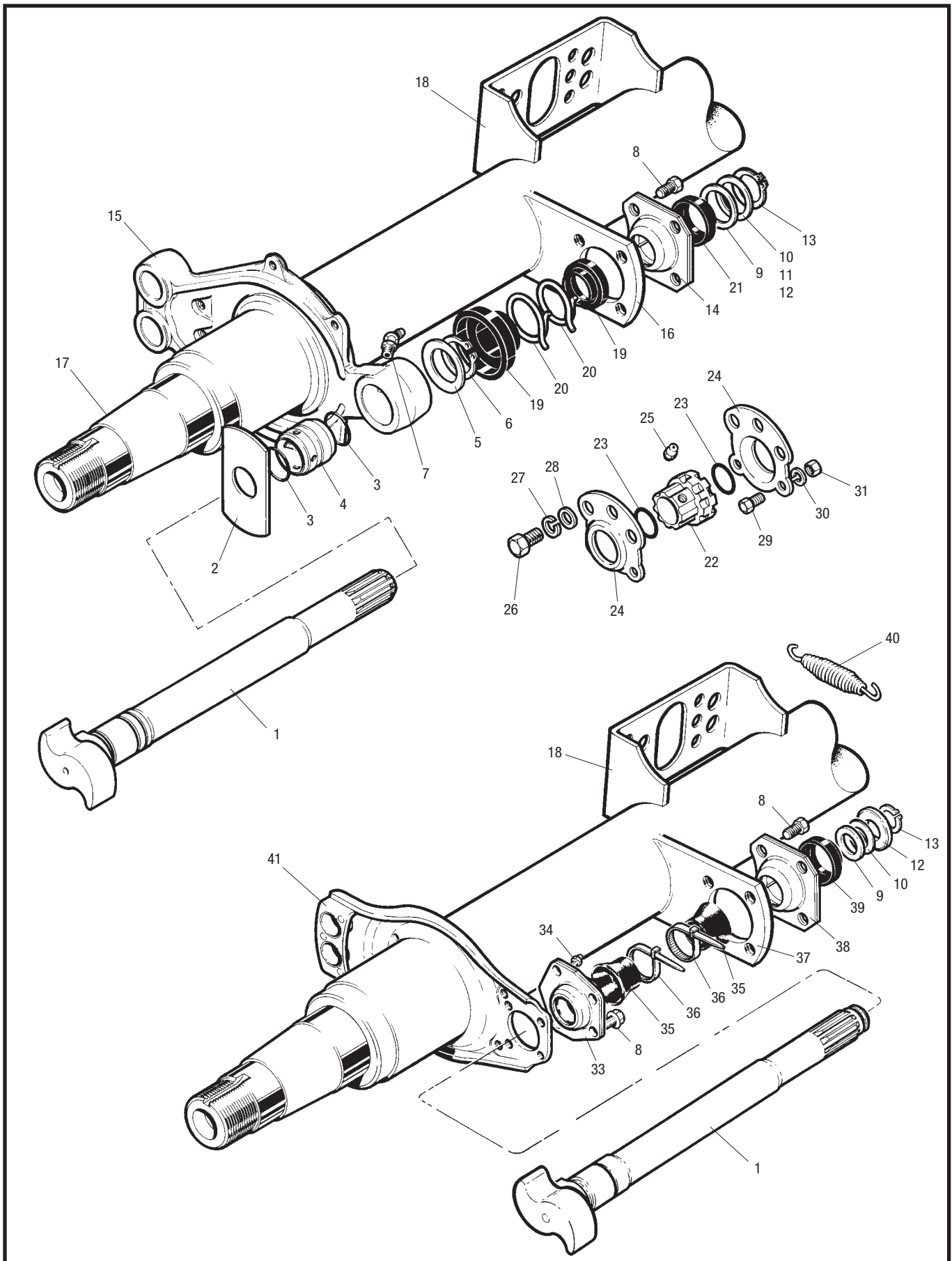
Brake Assembly

Item	Description	'AC' 310 x 190	'B' 350 x 200	'Q' 420 x 180	'Z' 420 x 220	33000 420 x 220
1	Brake shoe lined assembly series II	15200106R		15200103R	15200101R	15200101R
1	Brake shoe lined assembly series III	15206004R	15209714R	15205536R	15205192R	15205192R
2	Brake lining, anchor end	BLKAR	BLKBR	BLKQR	BLKZR	BLKZR
3	Brake lining, cam end					
		} Brake lining kit (including rivets)				
4	Rivet	21200761	21200761	21200761	21200761	21200761
5	Brake shoe unlined series III	15206005B	15209713B	15205533S	15205191S	15205191S
5	Brake shoe unlined series II	15200011		15025412S	15200007S	15200007S
6	Anchor pin series II	21205204		21205204	21205204	21205204
7	Anchor pin series III	21205193G	21205193G	21205193G	21205193G	21205193G
8	Bush	21016666A	21016666A	21016666A	21016666A	21016666A
8A	Bush – stainless steel (fab a/bkt)*			21221028	21221028	
9	'O' ring	21220668	21220668	21220668	21220668	21220668
9A	Retaining clip series II	99504001		99504001	99504001	99504001
10	Release spring	21220859PK10	21221224PK10	21221224PK10	21221224PK10	21221224PK10
11	Retainer spring series III	21205194PK100	21205194PK100	21205194PK100	21205194PK100	21205194PK100
12	Pin	21220171PK20	21220171PK20	21220171PK20	21220171PK20	21220171PK20
13	Cam roller	21006610	21006610	21006610	21006610	21006610
14	Roller retainer clip	21224831PK50	21224831PK50	21224831PK50	21224831PK50	21224831PK50

* From June 1991

TM Parts List

Camshaft Assembly – up to 31st March 2001





MERITOR™

TM Parts List

Camshaft Assembly – up to 31st March 2001

Item	Description	'AC'	'B'	'Q'	'Z'	33000	
		310 x 190	350 x 200	420 x 180	420 x 220	420 x 220	
1	Camshaft RH } 1 Camshaft LH }	see brake camshaft table page 10/11					
2	Cam washer	21202756	21202756	21202756	21202756	21202756	
3	'O' ring	21016721	21016721	21016721	21016721	21016721	
4*	Bush – phosphor bronze stepped cam	21209990	21209990	21209990	21209990	21209990	
5	Washer – bevel	21202757	21202757	21202757	21202757	21202757	
6	Circlip	99070011	99070011	99070011	99070011	99070011	
7	Grease nipple	99040012	99040009	99040009	99040009	99040009	
8	Screw	99546002	99546002	99546002	99546002	99546002	
9	Washer	21006624	21006624	21006624	21006624	21006624	
10	Washer – spacer	21006662	21006662	21006662	21006662	21006662	
11	Washer	21006627	21006627	21006627	21006627	21006627	
12	Washer – rolled spline c/shafts only	21219862	21219862	21219862	21219862	21219862	
13	Circlip – rolled spline c/shaft	99507030	99507030	99507030	99507030	99507030	
13	Circlip	99070006	99070006	99070006	99070006	99070006	
14	Spherical bearing assy	15213430	15213430	15213430	15213430	15213430	
15	Anchor bracket assy	–	–	–	–	–	
16	Camshaft bracket	21020787	21209707	21020300	21020300	21201081	
17	Axle beam	apply to MERITOR quoting serial number (see page 26) or axle series & track					
18	Air chamber bracket	21024347	21201592	21201592	21201592		
19	Rubber boot – large	21204849	21204849	21204849	21204849	21204849	
20	Cable tie	21221065	21221065	21221065	21221065	21221065	
21	Rubber boot – short	21205667	21205667	21205667	21205667	21205667	
22	Spherical bearing – nylon	21006585		21006585	21006585		
23	'O' ring	21014640		21014640	21014640		
24	Housing spherical bearing	21006563		21006563	21006563		
25	Grease nipple	99040012		99040012	99040012		
26	Screw			722311623	722311623		
27	Washer – spring			841415116	841415116		
28	Washer – plain			841011116	841011116		
29	Screw			722311021	722311021		
30	Washer – spring			841415110	841415110		
31	Hex nut			821136110	821136110		
	From June 1991	– axle beams with fabricated anchor brackets					
33	Spherical bearing – head end			15224821	15224821		
34	Grease nipple			99040016	99040016		
34	Grease nipple (from April '97)			21224520	21224520		
35	Boot – large			21204849	21204849		
36	Cable tie			21221065	21221065		
37	Camshaft bracket			(see item 16)	(see item 16)		
38	Spherical bearing – spline end			15213430	15213430		
39	Boot – small			21205667	21205667		
40	External brake return spring			21210215PK10	21210215PK10		
41	Anchor bracket – pressed			–	–		
42	Manual slack adjuster – 4 hole metric (not shown)	21219681	21219681	21219681	21219681	21219681	

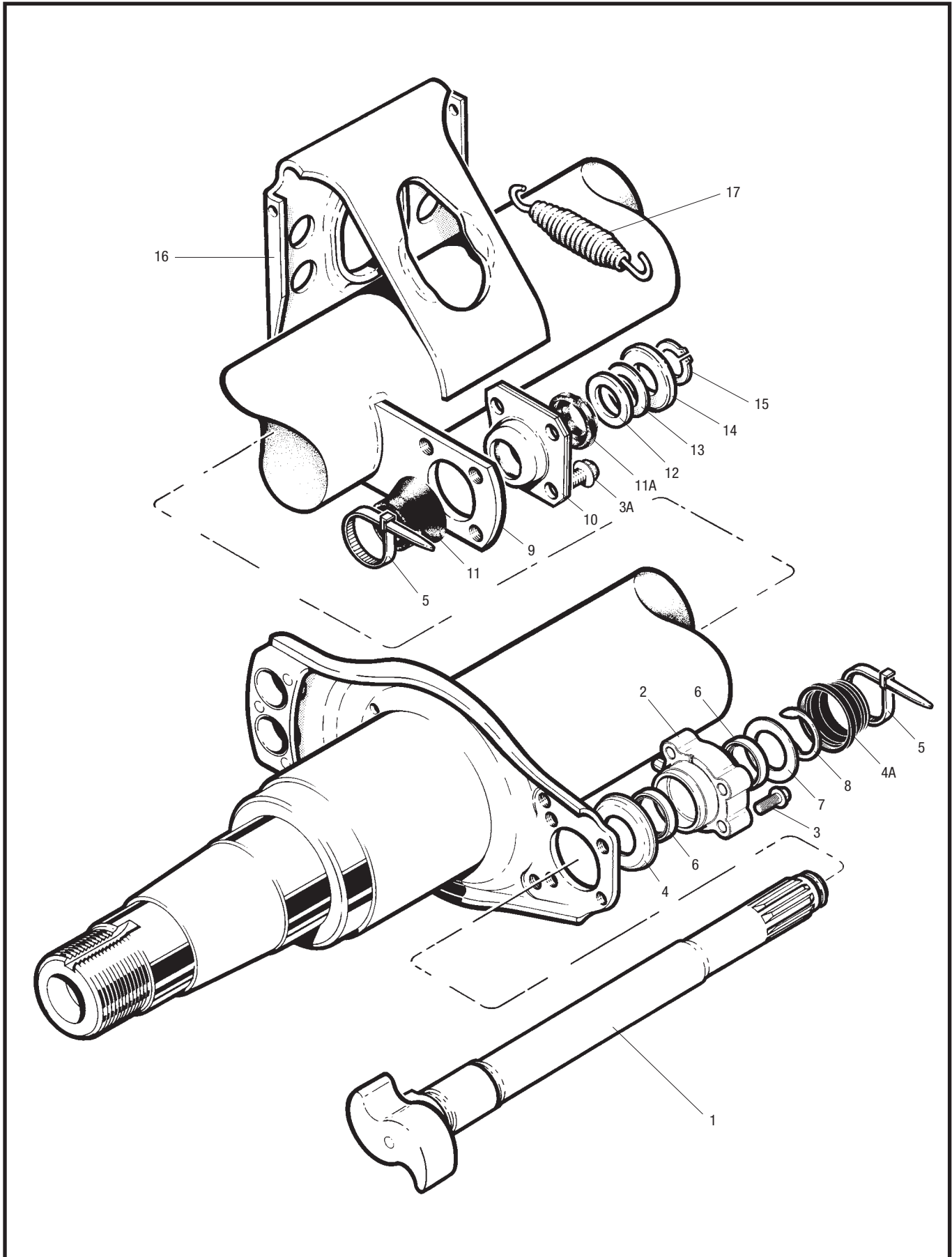
* Oversize bushes available:

Standard camshaft 21209623
Stepped camshaft 21213259

TM Parts List

Camshaft Assembly – from 1st April 2001

Suitable for use with 420 diameter drum brakes only



**MERITOR™**

TM Parts List

Camshaft Assembly – from 1st April 2001

Suitable for use with 420 diameter drum brakes only

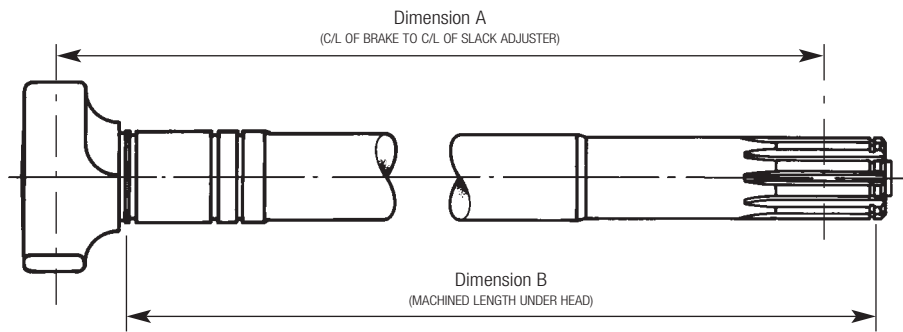
Item	Description	Part Number
1	Camshaft LH/RH	see table page 10/11
2	Cam head bearing assembly**	A23105Q1213
3	Screw, bearing, cam end**	99546000
3A	Screw, bearing, spline end**	99546002
4	Washer seal**	1229K4795
4A	Boot, cam end**	2260K1155
5	Tie wrap**	21221065
6	Lip seal (part of item 2)	–
7	Washer**	1229S4101
8	Snap ring**	1229T4102
9	Camshaft bracket	21020300
10	Spline end bearing assembly**	15213430
11	Inner boot, spline end**	21204849
11A	Outer boot, spline end**	21205667
12	Washer, spacing, thick**	21006627
13	Washer, spacing, thin**	21006662
14	Retaining washer**	21219862
15	Circlip**	99507030
16	Air chamber bracket	21201592
17	Assister spring	21210215PK10
*18	25g Sachet MERITOR grease (not shown)**	99226786
*18	400g Cartridge MERITOR grease (not shown)	99226787
19	Grease nipple dust cap (not shown)	2297L7274

*NB. Item 18 must be used on items 2 & 10.

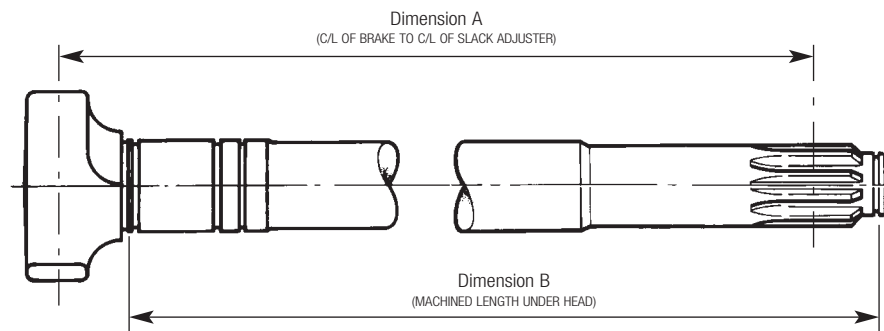
** All contained in service kit AXL 140

TM Parts List

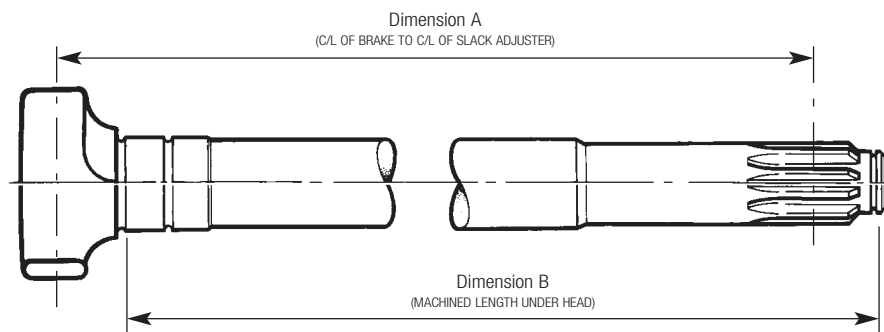
Brake Camshaft Table



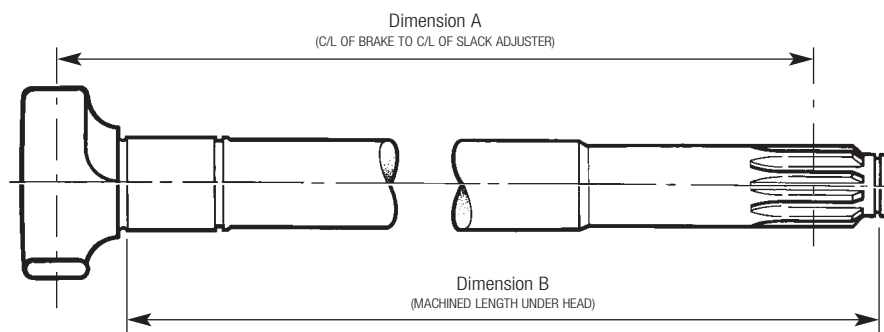
Camshaft Type 'X' – original machined spline, used with forged anchor bracket, superseded by Type 'Y'.



Camshaft Type 'Y' – later rolled spline, used with forged anchor bracket.



Camshaft Type 'Z' – rolled spline, used with pressed steel anchor bracket.



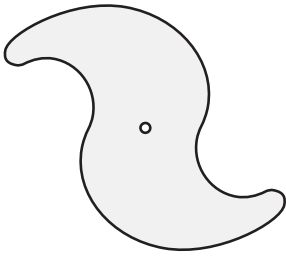
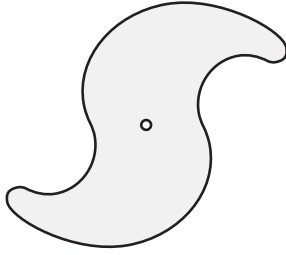
Camshaft Type 'A' – rolled spline, pressed steel anchor bracket with new cam head bearing (from April 2001).

TM Parts List

Brake Camshaft Table

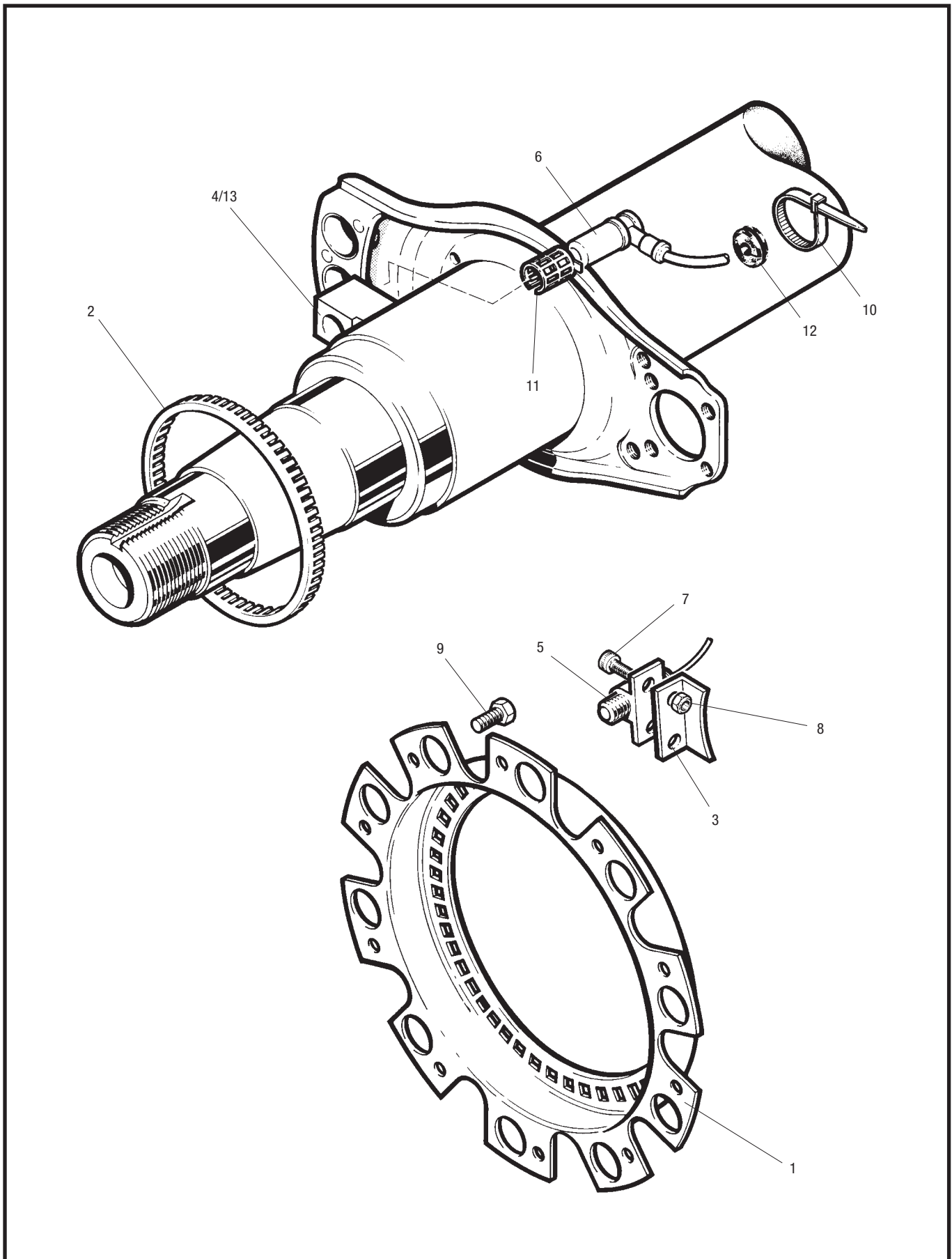


MERITOR™

Brake Dia.	Dim'n A	Dim'n B	Type 'Y' RH-LH	Type 'Z' RH-LH	Type 'A' RH-LH
420	188.98	193.00	21219301 - 02		
	209.48	213.50	21219303 - 04		
	228.38	232.40	21219287 - 88	21223154 - 55	21227113 - 14
	253.98	258.00	21219269 - 70	21222949 - 50	
	293.58	297.60	21219271 - 72		
	356.98	361.00	21219275 - 76		
	412.68	416.70	21219263 - 64	21222183 - 84	21227111 - 12
	442.78	446.80	21219281 - 82		
	476.18	480.20	21219259 - 60	21222185 - 86	
	521.48	525.50	21219257S - 58S	21221070S - 71S	21227109 - 10
	542.43	549.00		21222700 - 01	
	564.48	568.50	21219283 - 84	21222386 - 87	
	583.48	587.50	21219279S - 80S	21221194S - 95S	21227107 - 08
	601.98	606.00	21219307 - 08		
	605.98	610.00	21219309 - 10	21222187 - 88	21227105 - 06
	622.98	627.00	21219277 - 78	21222189 - 90	21227103 - 04
	632.98	637.00	21219305 - 06	21222191 - 92	21227101 - 02
350	188.98	193.00	21219315 - 16	 <p>Right hand camshaft end view</p>	
	244.98	249.00	21219317 - 18		
	364.58	368.60	21219327 - 28		
	412.68	416.70	21219319 - 20		
	521.48	525.50	21219311 - 12		
	570.98	575.00	21219313 - 14		
	605.98	610.00	21219321 - 22		
	666.48	670.50	21219323 - 24		
	680.08	684.10	21219333 - 34		
	687.98	692.00	21219329 - 30		
310	169.98	174.00	21219341 - 42	 <p>Left hand camshaft end view</p>	
	188.98	193.00	21219739 - 40		
	412.68	416.70	21219737 - 38		
	521.48	525.50	21219335 - 36		
	570.98	575.00	21220815 - 16		
	605.98	610.00	21219337 - 38		
	632.98	637.00	21219345 - 46		
	687.98	692.00	21219343 - 44		

TM Parts List

ABS Assembly





MERITOR™

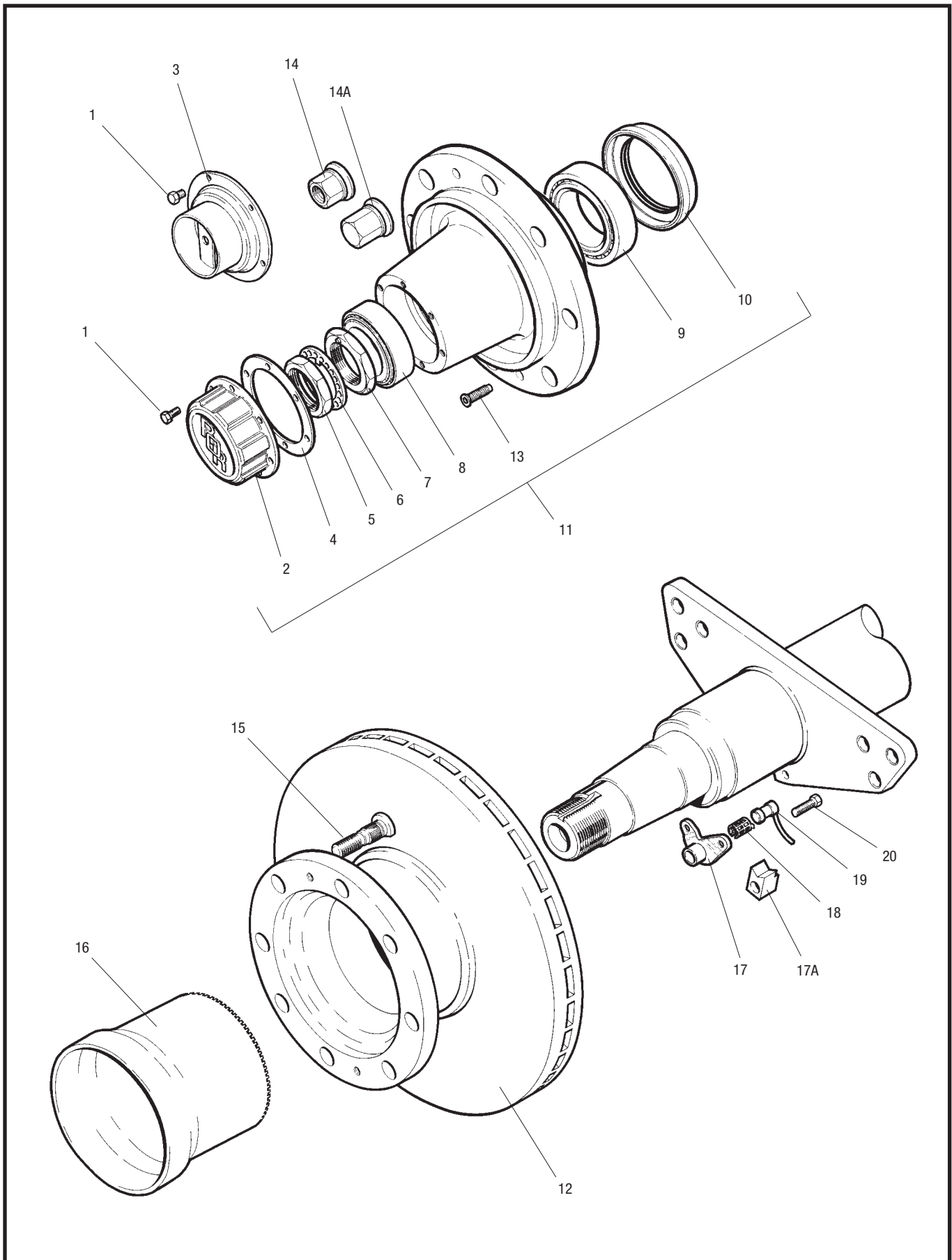
TM Parts List

ABS Assembly

Item	Description	'AC'	'B'	'Q'	'Z'
		310 x 190	350 x 200	420 x 180	420 x 220
1	Exciter ring (Antiskid)	21209521	21209521	21209515	21209515
2	Exciter ring (Wabco)	21213033	21213033	21213316	21213316
3	Sensor bracket (Antiskid)	21209522	21209522	21209516	21209516
4	Sensor bracket (Wabco)	21213035	21213035	21213035	21213035
5	Sensor (Antiskid)	21209517	21209517	21209517	21209517
6	Sensor (Wabco)	21213034	21213034	21213034	21213034
7	Screw, sensor attach	21209518	21209518	21209518	21209518
8	Locknut, sensor attach	21209519	21209519	21209519	21209519
9	Screw, exciter attach	99508001	99508001		
10	Cable tie	21221065	21221065	21221065	21221065
11	Spring bush (Wabco)	21213036	21213036	21213036	21213036
12	Grommet	21220842	21220842	21220842	21220842
13	Sensor bracket (Wabco) – for Kenton type beams	21223090	21223090	21223090	21223090

TM Parts List

TM DX195 Hub, Disc and ABS Assembly



**MERITOR™**

TM Parts List

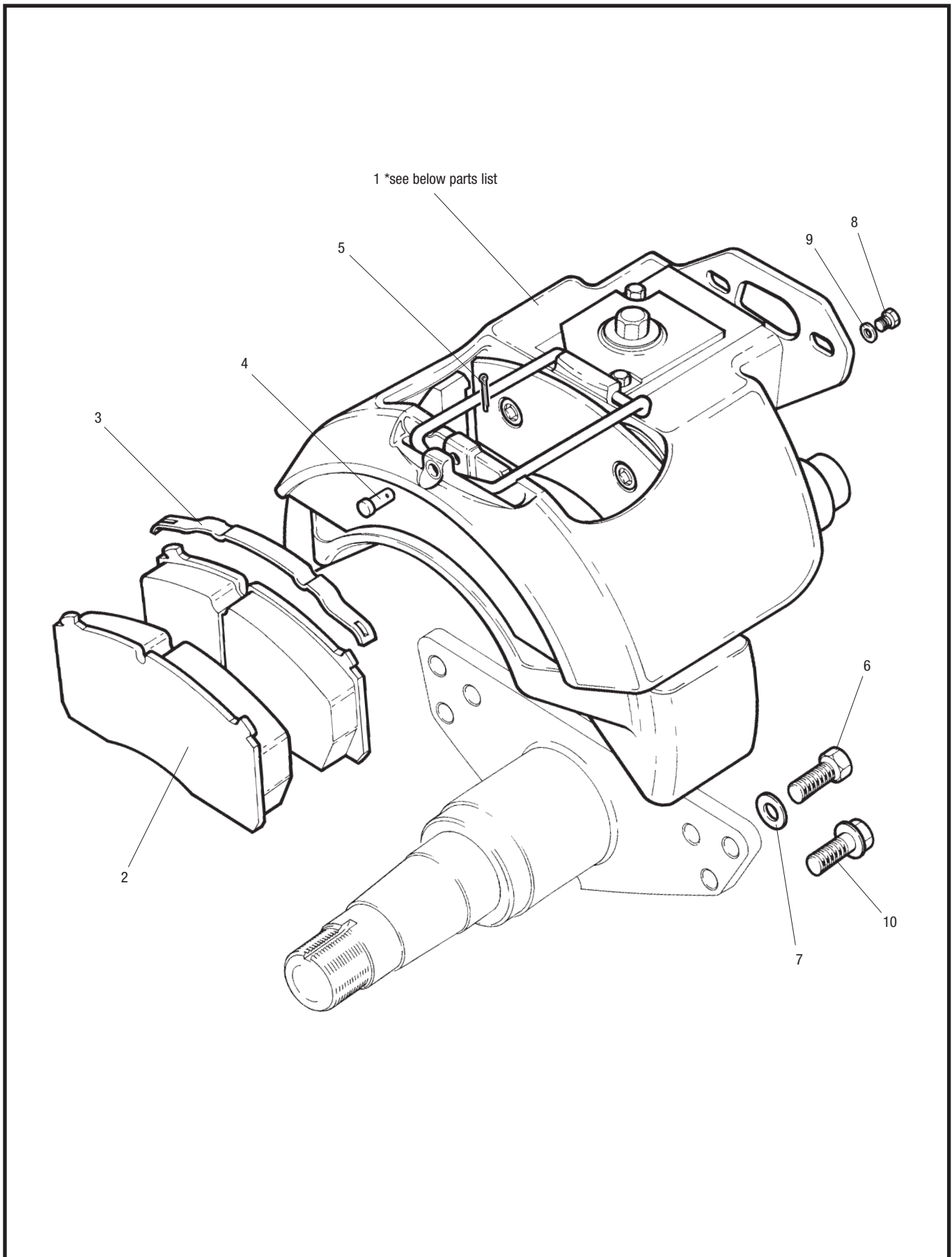
TM DX195 Hub, Disc and ABS Assembly

Item	Description	Part Number
1	Screw, hub cap	99520005
2	Hub cap – grease filled	21202627
3	Hub cap – hubodometer	21202627A
4	Gasket, hub cap	21211378
5	Lock nut	21210819
6	Lock washer	21020818
7	Bearing adjustment nut	21205571
8	Outer bearing	99041045S
9	Inner bearing	99041035S
10	Oil seal	21200321A
11	TM Hub assembly*	14224262
12	Brake disc	21224263
13	Brake disc retaining screw	99539001
14	Wheel nut, steel / aluminium wheel	21226395
14A	Wheel nut, steel / aluminium wheel, capped	21226397
15	Wheel bolt, steel wheel	21224456
15	Wheel bolt, aluminium wheel / twin steel	21224957
16	Pole wheel assembly	21224458
17	Sensor bracket (from June 2000)	21226429
17A	Sensor block (pre June 2000)	21213035
18	Spring clip	21213036
19	Sensor	21213034
20	Screw, sensor bracket (from June 2000)	99543002

* Does not contain items 5, 6 & 7

TM Parts List

DX195 Brake Assembly





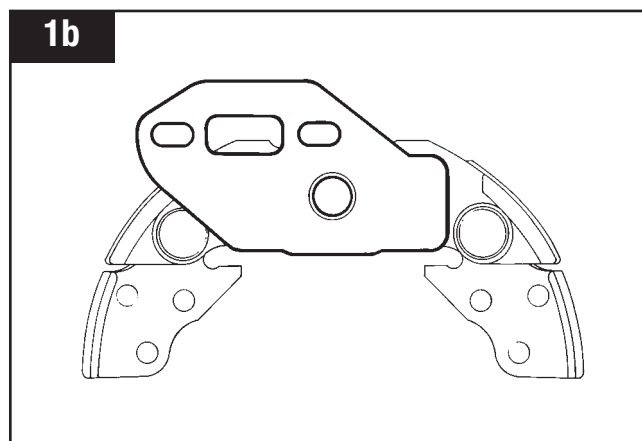
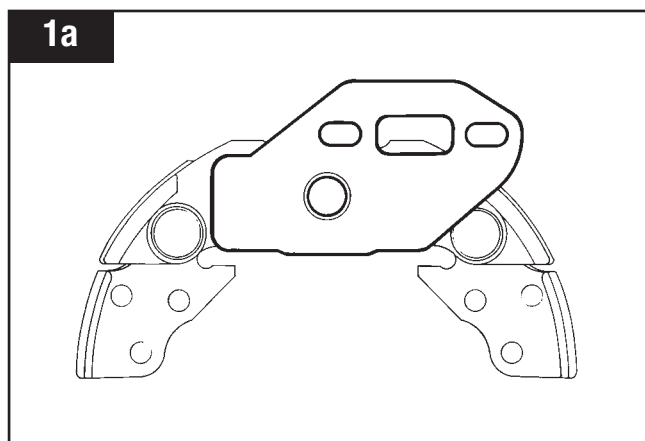
TM Parts List

DX195 Brake Assembly

Item	Description	Part Number
1a*	Brake assembly DX195 25, 33 & 51 (service exchange), LH	15224836SR
1b*	Brake assembly DX195 26, 34 & 52 (service exchange), RH	15224837SR
2	Brake pad kit	MDP5076
3	Spring pad**	—
4	Retaining pin**	—
5	Split pin**	—
6	M16 x 45 Caliper mounting bolt	21224908
7	Hardened washer	21224978
8	Plug**	—
9	Retaining washer**	—
10	M16 x 45 Caliper flanged mounting bolt – replaces items 6 & 7 from July 2001	21227146
11	Stabiliser bar	2297J6692
12	Disc brake adjuster sleeve & thrust plate kit, LH	MCK1292
13	Disc brake adjuster sleeve & thrust plate kit, RH	MCK1293
14	Disc brake adjuster kit, LH	MCK1290
15	Disc brake adjuster kit, RH	MCK1291
16	Pad fitting kit	MBA100
17	Pad wear indicator kit	MBA1050
18	Guide pin & seal kit	MCK1171
19	Eccentric shaft seal kit	MCK1168
20	Kit joint d'étancheite	MCK1192

** Available in kit MBA100

* Brake Assembly Rear View

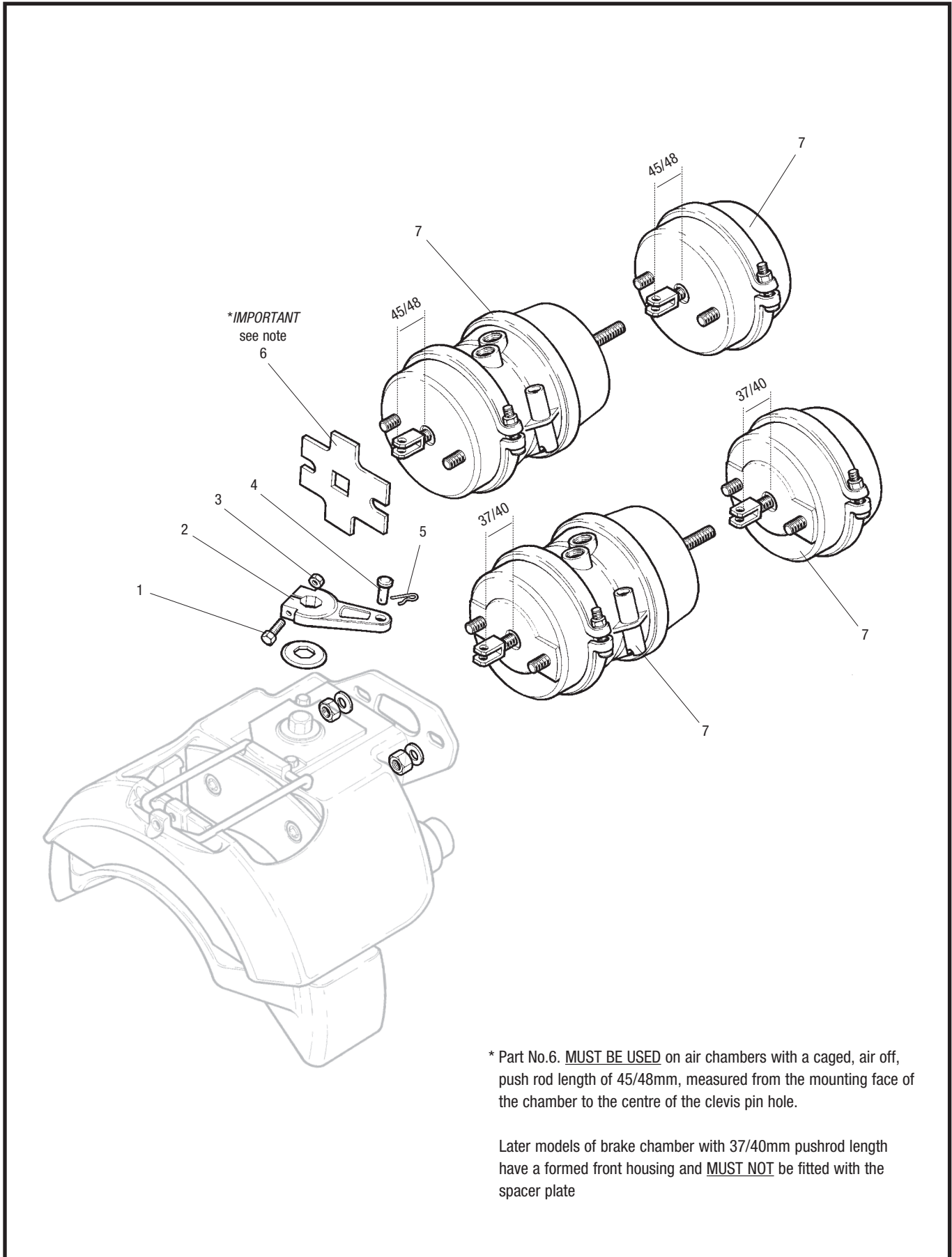


DX195 Caliper Part Number Cross Reference

Caliper	Part Number
DX195-45 with 90mm lever & pads	15224836SR (no pads/levers)
DX195-46 with 90mm lever & pads	15224837SR (no pads/levers)
DX195-47 with 80mm lever & pads	15224836SR (no pads/levers)
DX195-48 with 80mm lever & pads	15224837SR (no pads/levers)
DX195-51 (Aftermarket part numbers) – replaces DX195-33	15224836SR (no pads/levers)
DX195-52 (Aftermarket part numbers) – replaces DX195-34	15224837SR (no pads/levers)

TM Parts List

DX195 Actuation and Air Chambers



* Part No.6. **MUST BE USED** on air chambers with a caged, air off, push rod length of 45/48mm, measured from the mounting face of the chamber to the centre of the clevis pin hole.

Later models of brake chamber with 37/40mm pushrod length have a formed front housing and **MUST NOT** be fitted with the spacer plate

**MERITOR™**

TM Parts List

DX195 Actuation and Air Chambers

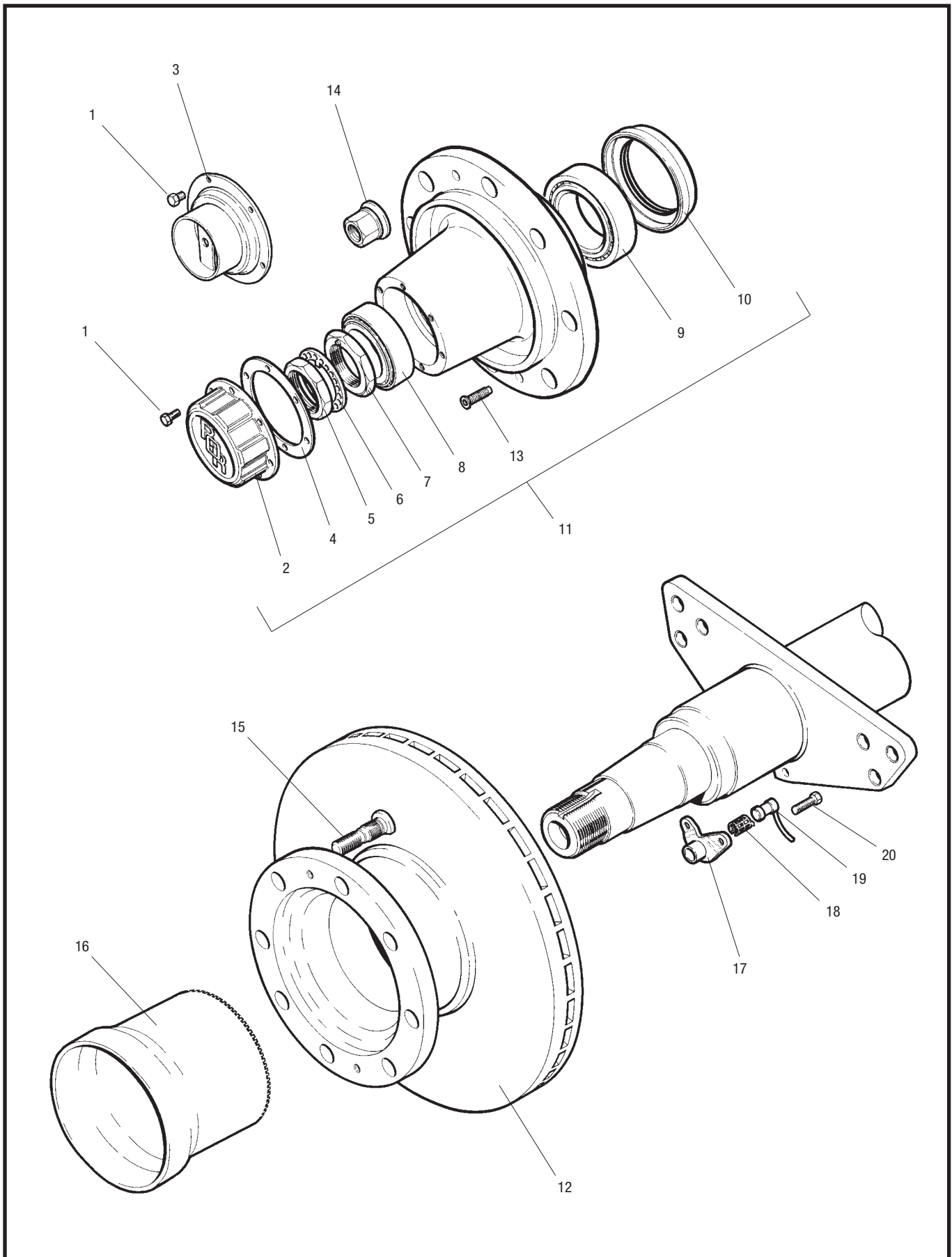
Item	Description	Part Number	
1	Clamp bolt M8 x 60	MS208060Z1	
2	Lever 80mm	MCK1160	
2	Lever 90mm	MCK1161	
3	Nut M8	MNL208Z1	
4	Clevis pin	21224985	
5	R-Clip	21224996	
		Part Number 45/48mm	Part Number 37/40mm
6*	Spacer plate	21224995	None
7	T 24/24	41225763	41225763**
7	T 22/24	41225764	41225764
7	T 20/24	41225765	41225765
7	T 18/24	41225766	41225766
7	T 24	41225767	41225767
7	T 22	41225768	41225768
7	T 20	41225769	41225769
7	T 18	41224964	41225770

* Part No.6. Must be used on air chambers with a caged, air off, push rod length of 45/48mm.
It must never be used on chambers with a caged push rod length of 37/40mm.

** In tandem applications the following chambers are used: 41227590 (RH) – 41227591 (LH)

TM Parts List

TM ELSA 195 Hub, Disc and ABS Assembly



**MERITOR™**

TM Parts List

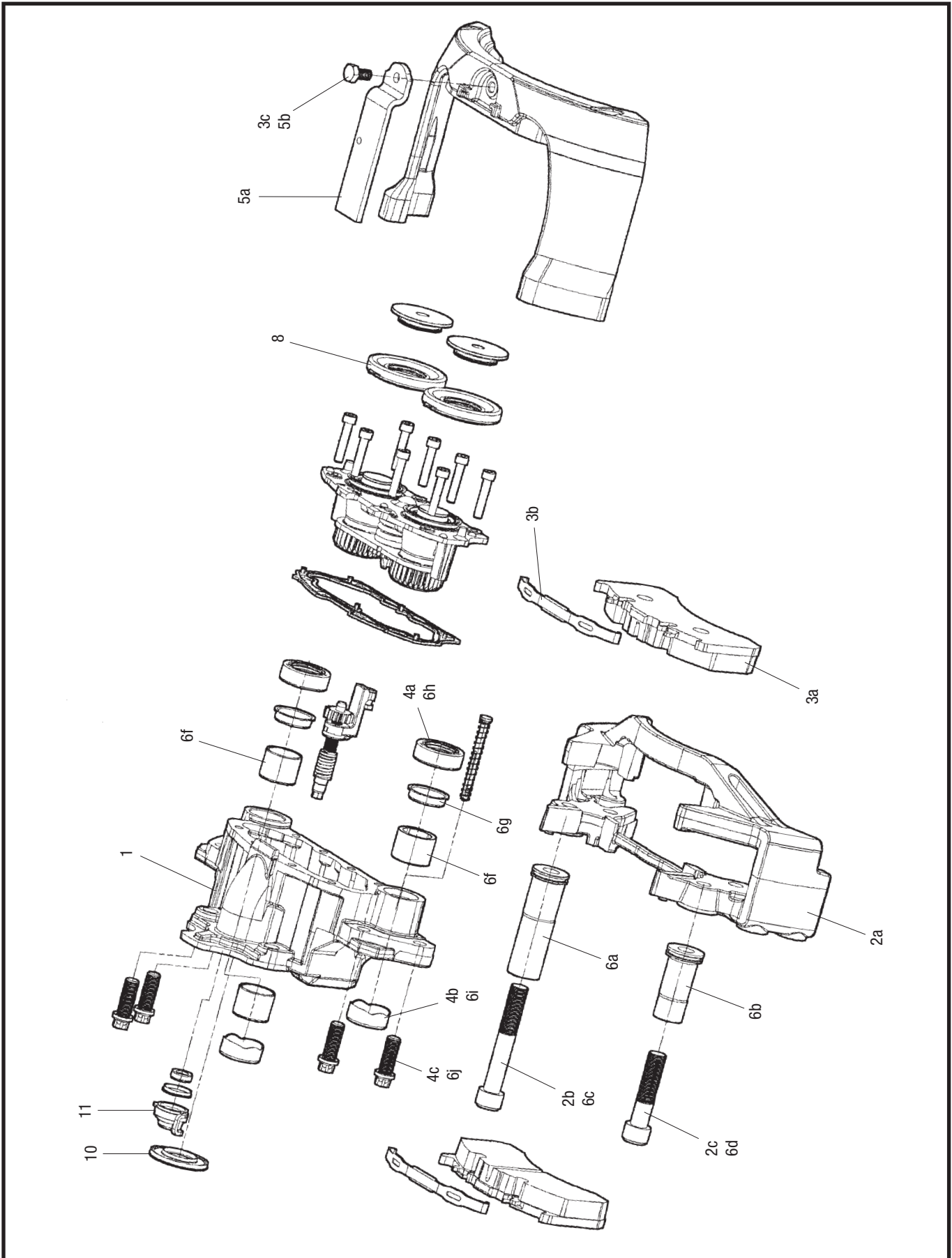
TM ELSA 195 Hub, Disc and ABS Assembly

Item	Description	Part Number
1	Screw, hub cap	99543001
2	Hub cap – grease filled	21202627
3	Hub cap – hubodometer	21202627A
4	Gasket, hub cap	21211378
5	Lock nut	21210819
6	Lock washer	21020818
7	Bearing adjustement nut	21205571
8	Outer bearing	99041045S
9	Inner bearing	99041035S
10	Oil seal	21200321A
11	TM Hub assembly*	14224262
12	Brake disc	21224263
12A	Brake disc – integrated pole wheel (not shown)	MBR9014
13	Brake disc retaining screw	99539001
14	Wheel nut	21226395
15	Wheel bolt	21224957
16	Pole wheel assembly	21224458
17	Sensor block	21228715
18	Spring clip	21213036
19	Sensor	21213034
20	Screw, sensor bracket	99543002

* Does not contain items 5, 6 & 7

TM Parts List

ELSA 195 Brake Assembly



**MERITOR™**

TM Parts List

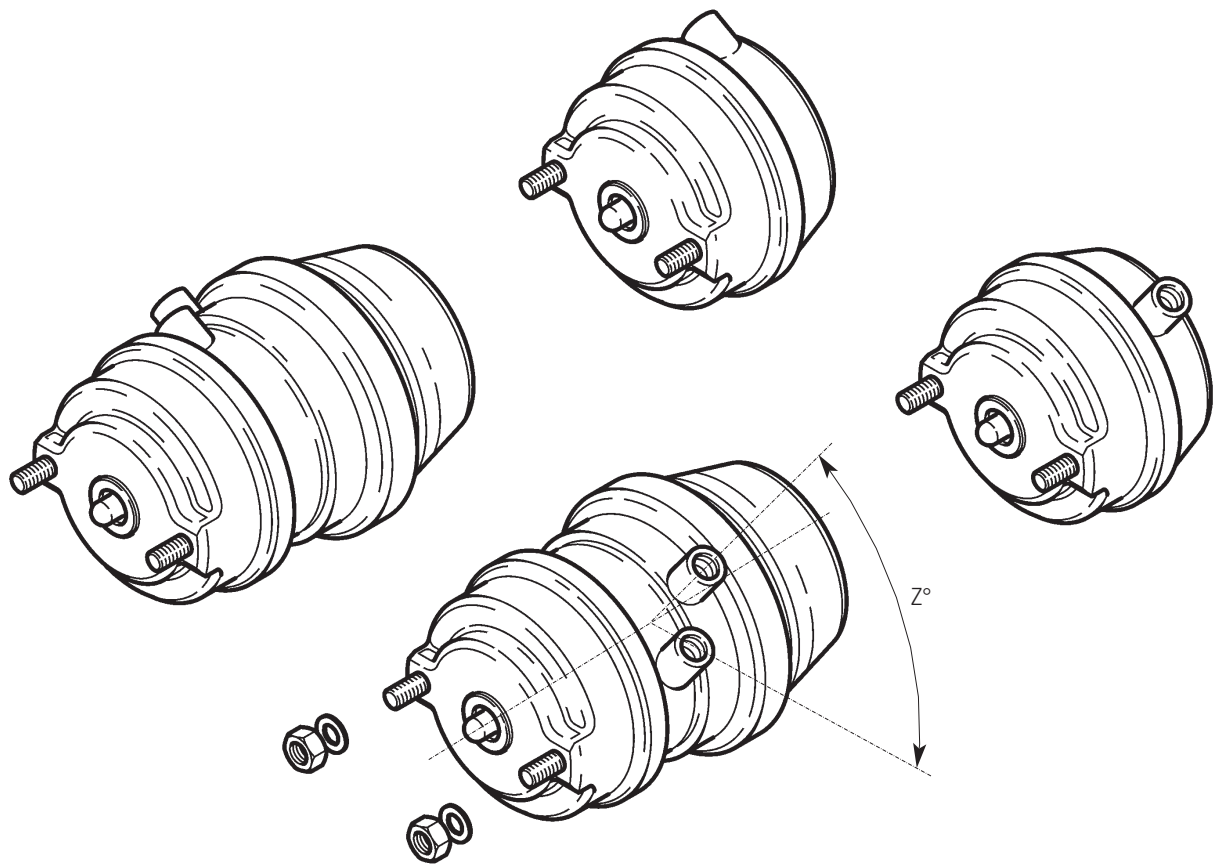
ELSA 195 Brake Assembly

Item	Description	Part Number
1	Service caliper, RH	LRG702
1	Service caliper, LH	LRG703
2a-2c	Carrier kit	MCK1252
3a-3c	Brake pad kit	MDP5093
4a-4c	Seal kit*	MCK1253
5a-5b	Pad retainer kit	MCK1174
6a-6j	Guide pin kit*	MCK1254
8	Piston head seal kit*	MCK1139
9	Pad wear warning indicator kit (not shown)	MBAKIT1051
10	Actuator seal	68323746PK10
11	Adjuster stem dust cover	68322655PK10
12	M18 x 50 Caliper flanged mounting bolt (not shown)	21227433

*includes grease (not shown)

TM Parts List

ELSA 195 Air Chamber Assembly



TM Parts List

ELSA 195 Air Chamber Assembly



Air chamber Type	Port orientation (angle Z°)	
	45°	135°
T14	41226792	41226793
T16	41226798	41226799
T18	41226804	41226805
T20	41226808	41226809
T22	41229265	41229266
T24	41229269	41229270
T27	41226822	41226823
T14/16	41226794	41226795
T14/24	41226796	41226797
T16/16	41226800	41226801
T16/24	41226802	41226803
T18/24	41226806	41226807
T20/24	41226810	41226811
T22/24	41229267	41229268
T24/24	41229271	41229272
T24/30	41226820	41226821
T27/30	41226824	41226825
T30/30	41226826	41226827

TM Parts List

Identifying your Axle Type

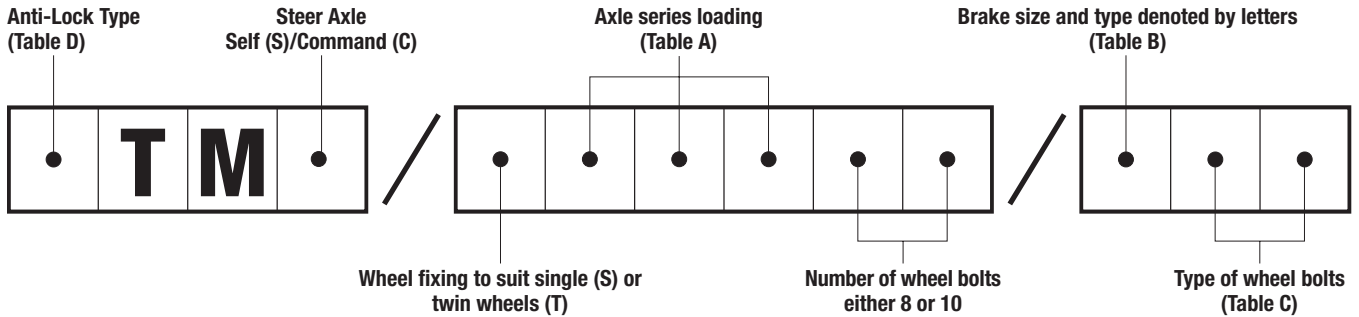


Table A – TM Loading – Standard and Low Loader

Axle Series	Nominal Highway Axle Rating kg	Maximum Offset mm
20,000	9,500	460
22,500	10,170	490
25,000	11,690	490

The axle ratings shown are for normal highway applications and any special application for installation must be approved by MERITOR Design Engineering.

NB: Offset = $\frac{\text{Track} - \text{Spring Centres}}{2}$

Table B – TM Brake Coding Chart

Axle Letter Code	Brake
AC	310mm x 190mm
B	350mm x 200mm
Q	420mm x 180mm
ZA	420mm x 200mm
Z	420mm x 220mm
AA	380mm x 180mm Stopmaster

Table C – TM Wheel Fixing Coding Chart

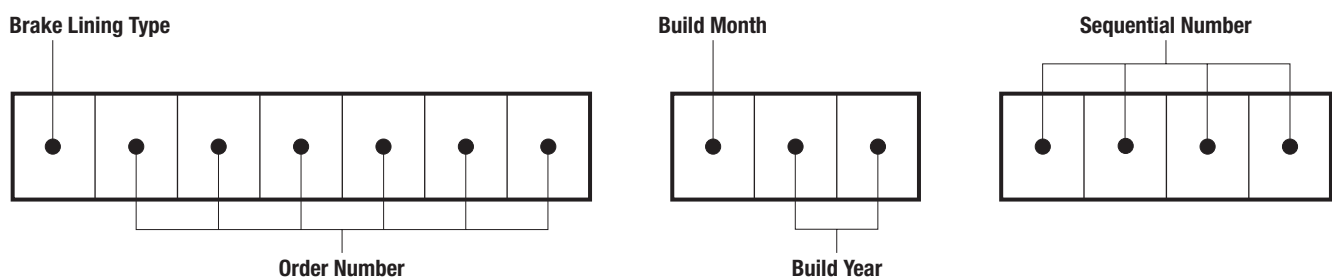
Axle Letter Code	Wheel Mounting
S	7/8" BSF (SMMT)
M	M22mm x 1.5mm metric (DIN)
J	'Trilex' type
MX	ISO 4107 type with M22mm x 1.5mm wheel bolts
MXA	ISO 4107 type with M22mm x 1.5mm wheel bolts for alloy wheels
B	Japanese M20 x 1.5mm

Table D – Type of Anti-lock Sensing

Axle Letter Code	Exciter Type	Suitable For
A	60/45T Pressed Steel	Grau MGX2 & MGX2E Bendix MDR & MDRA
W	100/80T Solid Ring	Wabco Bosch Grau DGX & MGX100 Bendix AL-4T

Note: Please refer to relevant anti-lock manufacturers service manual for specific service and replacement instructions.

Identifying the Serial Number



TM Parts List

Warranty

A comprehensive network of original parts distributors and service stations operate throughout Europe; this is supported internationally with agents strategically placed around the world.

All Meritor replacement parts obtained through original parts distributors are covered by a one year warranty.

For full warranty terms and conditions see 'Meritor Warranty Terms and Conditions' Publication No 4.84.1

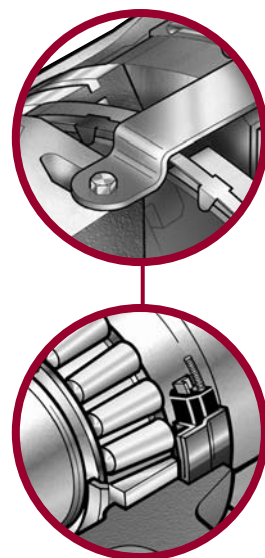
Meritor reserve the right to make changes in specifications shown herein or add improvements at any time without notice or obligation.

PARTS SHOWN IN THIS SPARES LIST ARE MADE FROM DRAWINGS IN WHICH COPYRIGHT SUBSISTS. THE MAKING OF COPIES OF ANY OF THESE PARTS IS PROHIBITED.

© Meritor HVS Limited



The high quality assurance management systems applied by Meritor are endorsed with the awarding of ISO 9001, Lloyd's Register Quality Assurance.



ArvinMeritor

Commercial Vehicle Aftermarket AG
Neugutstrasse 89
8600 Dübendorf
Switzerland
Tel: +41 (0)44 824 82 00
Fax: +41 (0)44 824 82 65

ArvinMeritor

Commercial Vehicle Aftermarket Ltd.
Park Lane, Great Alne, Alcester
Warwickshire B49 6HT
U.K.
Tel: 0845 606 7733
Fax: 0845 606 8844

www.arvinmeritor.com

Descriptions and specifications were in effect at the time of publication and are subject to change without notice or liability. Meritor reserve the right to make design improvements, change or discontinue parts at any time.

© 2005 ArvinMeritor

This catalogue may be used only to specify and sell products of ArvinMeritor, its subsidiaries and affiliated companies.

Issued 08-04
Publication CVA-4.97.2 rev. 2

ArvinMeritorTM